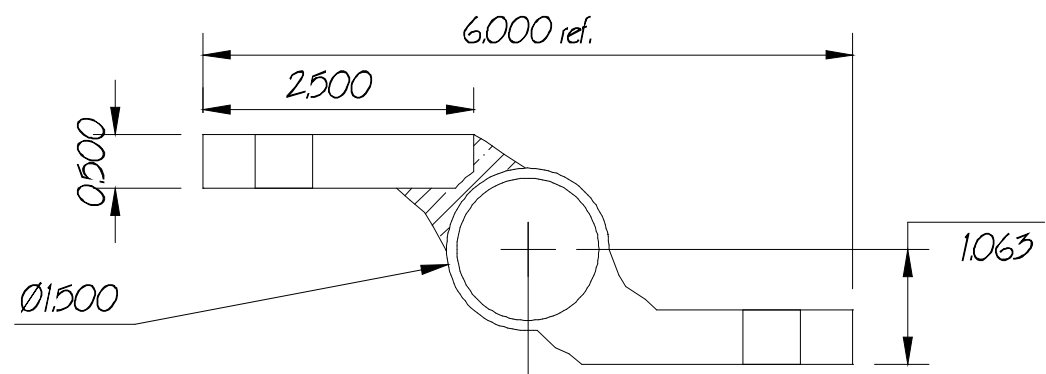
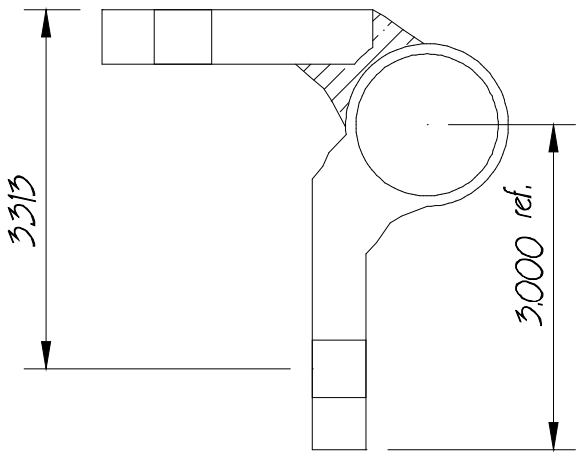


Rev.	Revision note	Date	Sign	Check
1		8-7-00	KPK	
2	ADD DIM AND HINGE MODELS	2/25	KPK	

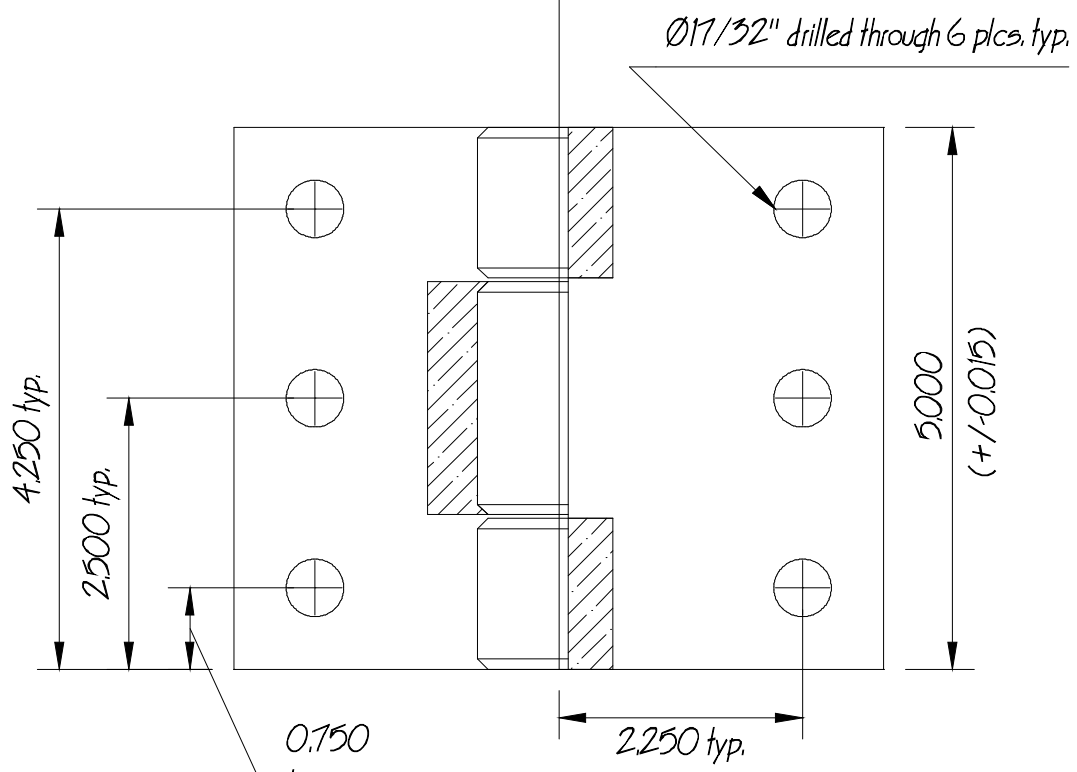
A
B
C
D
E
F



1-8506, 1-8511
Half Surface/ Half Mortise
Mounting



Mounting Surface Can Be From Either
Side of the Hinge Leaf.
C'Sunk Holes Available



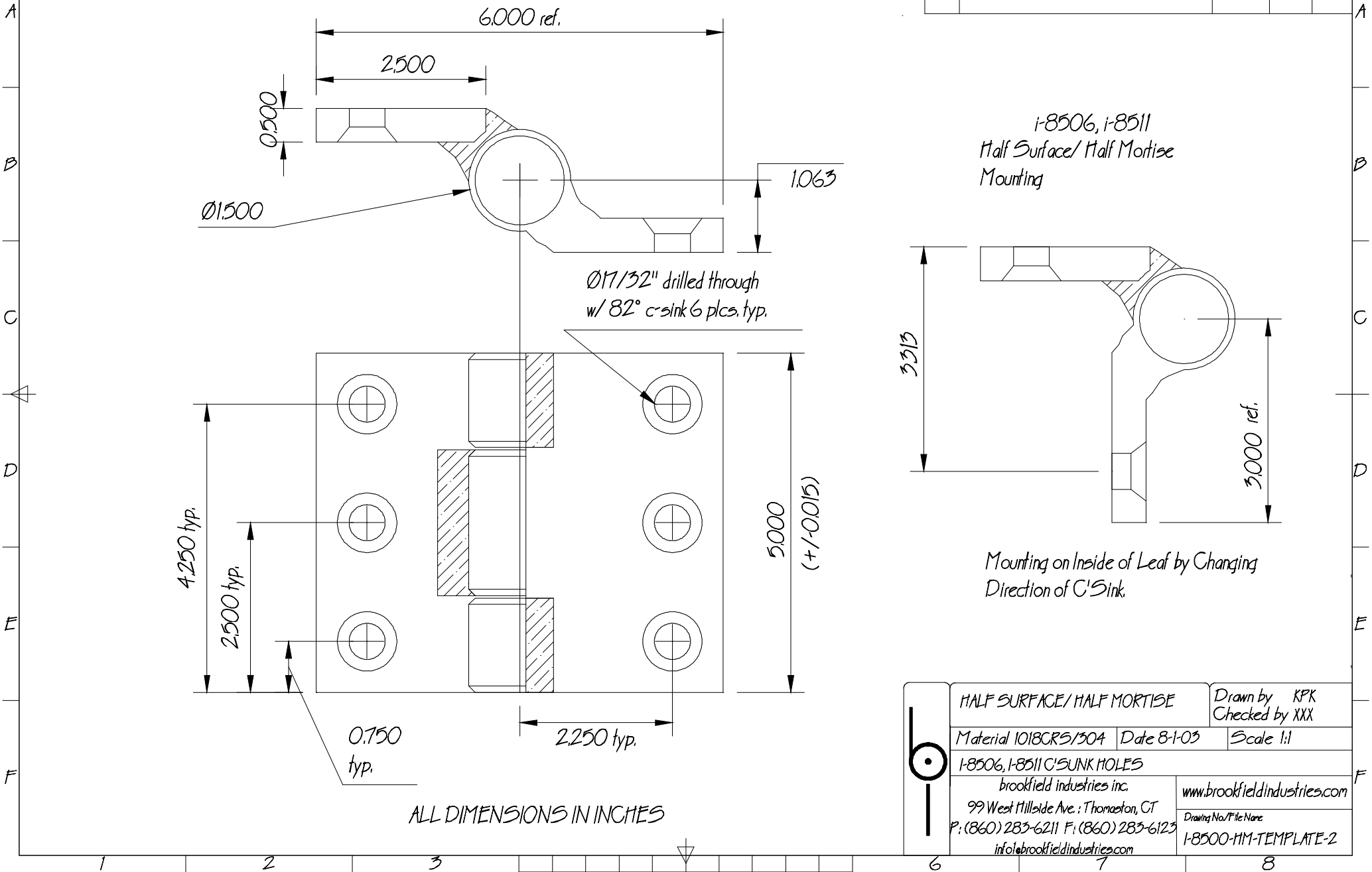
ALL DIMENSIONS IN INCHES

	1-8506, 1-8511		Drawn by KPK
			Checked by XXX
	Material 1018CR5/304	Date 8-1-03	Scale 1:1
	HALF SURFACE/HALF MORTISE W/ HOLES		
brookfield industries inc.		www.brookfieldindustries.com	
99 West Hillside Ave.: Thomaston, CT		Drawing No./File Name	
P: (860) 283-6211 F: (860) 283-6123		1-8500 HM-TEMPLATE-1	
info@brookfieldindustries.com			

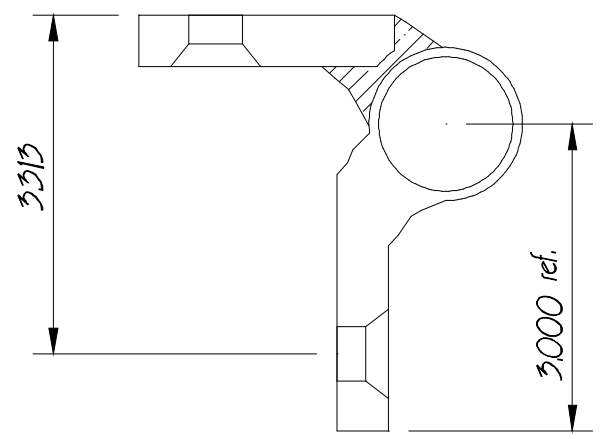
1 2 3 4 5 6 7 8

1	2	3	4	5	6	7	8
Tolerances			Decimal +/- 0.0005 UNO	Fractional +/- .xxx	Angular +/- .xxx		

Rev.	Revision note	Date	Sign	Check
1		8/1/00		KPK
2	ADD DIM & MODEL #	2/25	KPK	



i-8506, i-8511
Half Surface/ Half Mortise
Mounting



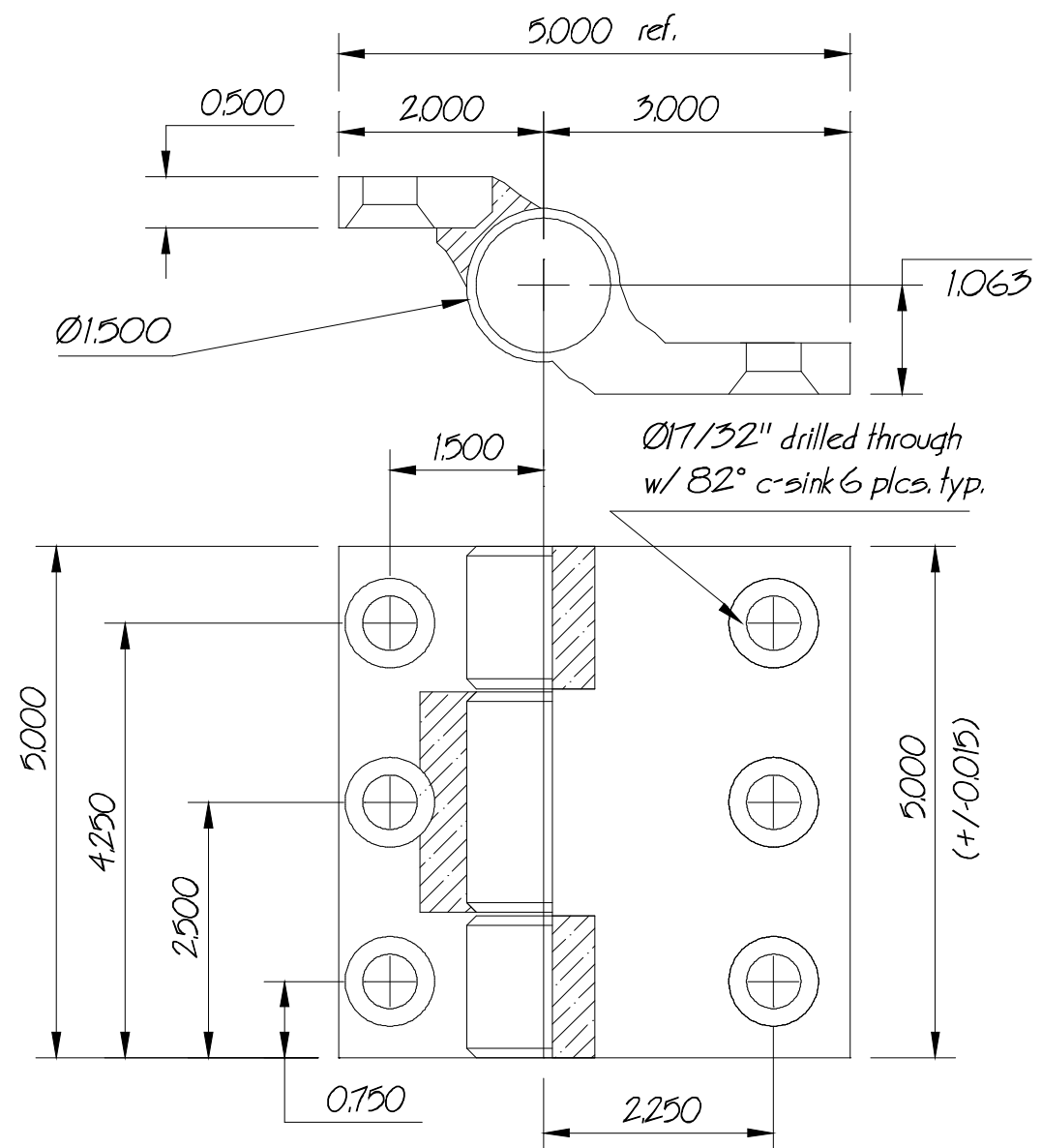
Mounting on Inside of Leaf by Changing
Direction of C'Sink

	HALF SURFACE/ HALF MORTISE		Drawn by KPK
			Checked by XXX
	Material 1018CR5/304	Date 8-1-03	Scale 1:1
	i-8506, i-8511 C'SUNK HOLES		
brookfield industries inc.			www.brookfieldindustries.com
99 West Hillside Ave.: Thomaston, CT			Drawing No./File Name
P: (860) 283-6211 F: (860) 283-6123			i-8500-HM-TEMPLATE-2
info@brookfieldindustries.com			

1	2	3	4	5	6	7	8
Tolerances			Decimal ± 0.0005 UNO	Fractional $\pm 1/100$	Angular $\pm 1/100$		

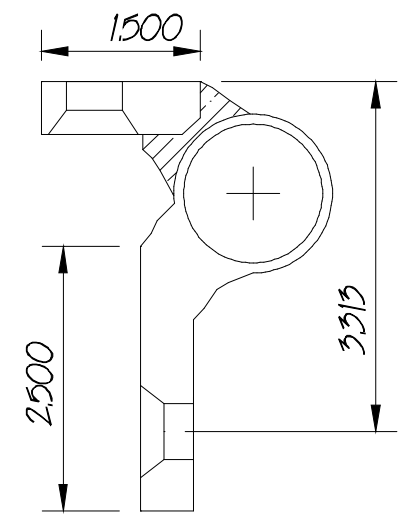
Rev.	Revision note	Date	Sign	Check
1	CORRECT HOLE DIM, ADD DIM & AND MODEL #	2/24	KPK	

A
B
C
D
E
F



ALL DIMENSIONS IN INCHES

i-8506, i-8511
Half Surface/ Half Mortise
Mounting



Mounting on Inside of Leaf by Changing
Direction of C'Sink.

	i-8506, i-8511, C'SUNK HOLES		Drawn by
			Checked by KPK
	Material 1018CR5/304	Date 8-2-03	Scale 1:1
	HALF SURFACE/HALF MORTISE, CUT LEAF		
brookfield industries inc.		www.brookfieldindustries.com	
99 West Hillside Ave.: Thomaston, CT		Drawing No./File Name	
P: (860) 283-6211 F: (860) 283-6123		i-8500-HM-TEMPLATE-3	
info@brookfieldindustries.com			

1 2 3 4 5 6 7 8